

SINGLE DESK MOUNT

Ωmega

OUPC012S

Maximum height 400 mm

Pulled up to 420 mm

Rotation by 180°

and Inclination -70 - 70°

Maximum load 8 kg/17.6 lbs

KEY FEATURES

- For mounting TFT/ LCD/ LED monitors with screen diagonal from 13"-27"
- Compatible with VESA standard screens: 75x75, 100x100
- Integrated cable management
- Quick and trouble free installation

TECHNICAL SPECIFICATIONS

- Maximum height: 400 mm
- Pulled up to 420 mm
- Rotation by 180° and inclination -70-70°
- Maximum load: 8 kg

PACKAGE CONTENT

- 1 arm for the OUPC012S monitor
- Assembly materials
- Installation instructions



OUPC12S

Maximum height 420 mm

Pulled up to 450 mm

Rotation by 180°

and Inclination -70 - 70°

Maximum load 8 kg/17.6 lbs



KEY FEATURES

- For mounting TFT/ LCD/ LED monitors with screen diagonal from 13"-27"
- Compatible with VESA standard screens: 75x75, 100x100
- Integrated cable management
- Quick and trouble free installation

TECHNICAL SPECIFICATIONS

- Maximum height: 420 mm
- Pulled up to 450 mm
- Rotation by 180° and inclination -70 ~ 70°
- Maximum load: 8 kg

PACKAGE CONTENT

- 1 arm for the OUPC012S monitor
- Assembly materials
- Installation instructions



DOUBLE DESK MOUNT

VAR VDSGM

PRO-GAMING DUAL MONITOR STAND

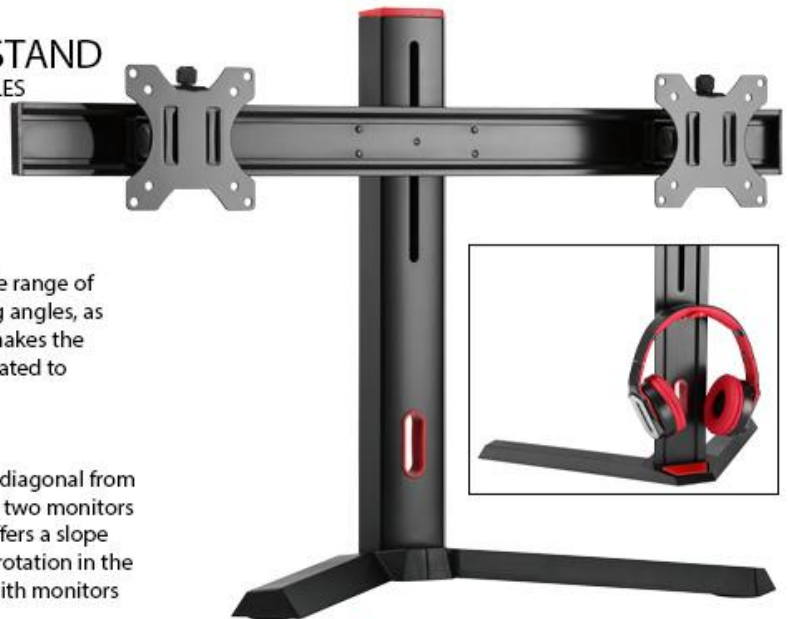
REE-TILTING DESIGN: MULTIPLE MONITOR VIEWING ANGLES

360° ROTARY: MORE VIEWING EXPERIENCE

CABLE MANAGEMENT: KEEPS EVERYTHING ORGANIZED

BUILT-IN HEADPHONE HOOK: SAVES DESK SPACE

The Bracket Allows You to Install Two Monitors



DUAL MONITORS STAND

The bracket allows you to install two monitors and a wide range of their regulation - rotation, inclination for optimal viewing angles, as well as full rotation. The unique design with red inserts makes the holder match the equipment, armchairs and desks dedicated to players.

VESA UNIVERSAL STANDARD

The VARR VDSGM holder is designed for monitors with a diagonal from 17"-27" and weighing up to 7 kg (load on a single holder, two monitors can be installed up to 7 kilograms). This monitor stand offers a slope and rotation in the angle of -15 to 15 degrees, as well as rotation in the range of -180 to 180 degrees. The holder is compatible with monitors equipped with VESA 75x75 and 100x100 mounts.

BUILT-IN HEADSET HOOK

VDSGM monitor stand has been equipped with a convenient hook for headphones.

TECHNICAL SPECIFICATION

Screen Size: 17"-27"

Weight Capacity (per screen): 7kg

VESA Compatible: 75x75,100x100

Tilt Range: +15°~-15°

Swivel Range: +15°~-15°

Screen Rotation: +180°~-180°

Locking Rotary Knob: ensures toolless height adjustment

360° Rotary VESA Plate: for more viewing experience

Detachable VESA Plate Design: enables easy installation

Free-Tilting Design: for multiple monitor viewing angles

Cable Management: keeps everything organized

Built-In Headphone Hook: saves desk space

Continuous Swivel: for an optimal viewing angle



OUPC024D

Maximum height 400 mm
Pulled up to 420 mm
Rotation by 180°
and Inclination -70 - 70°
Maximum load 8 kg/17.6 lbs

KEY FEATURES

- For attaching two TFT / LCD / LED monitors with screen diagonal from 13"-27"
- Compatible with VESA standard screens: 75x75, 100x100
- Integrated cable management
- Quick and trouble free installation

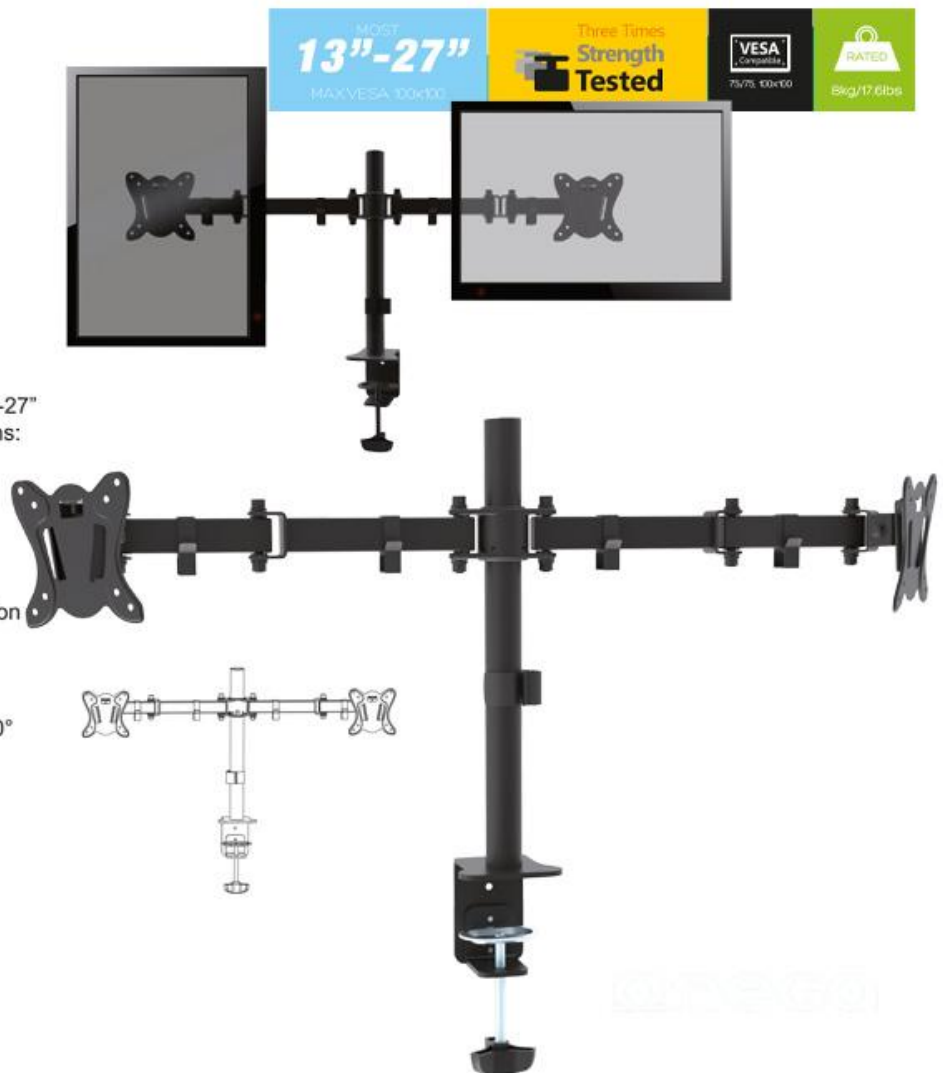
TECHNICAL SPECIFICATIONS

The following data is provided for one monitor. The bracket allows the installation of two monitors.

- Maximum height: 400 mm
- Pulled up to 420 mm
- Rotation by 180° and inclination -70~70°
- Maximum load: 8 kg

PACKAGE CONTENT

- 1 arm for the OUPC024D monitor
- Assembly materials
- Installation instructions



OUPC24D

Maximum height 420 mm
Pulled up to 450 mm
Rotation by 180°
and Inclination -70 - 70°
Maximum load 8 kg/17.6 lbs

KEY FEATURES

- For attaching two TFT / LCD / LED monitors with screen diagonal from 13"-27"
- Compatible with VESA standard screens: 75x75, 100x100
- Integrated cable management
- Quick and trouble free installation

TECHNICAL SPECIFICATIONS

The following data is provided for one monitor. The bracket allows the installation of two monitors.

- Maximum height: 420 mm
- Pulled up to 450 mm
- Rotation by 180° and inclination -70~70°
- Maximum load: 8 kg

PACKAGE CONTENT

- 1 arm for the OUPC24D monitor
- Assembly materials
- Installation instructions



QUADRUPLE DESK MOUNT

OUPC048F

- Maximum height 400 mm
- Pulled up to 420 mm
- Rotation by 180°
- and Inclination -70 - 70°
- Maximum load 8 kg/17.6 lbs

KEY FEATURES

- For attaching four TFT / LCD / LED monitors with screen diagonal from 13"-27"
- Compatible with VESA standard screens: 75x75, 100x100
- Integrated cable management
- Quick and trouble free installation

TECHNICAL SPECIFICATIONS

The following data is provided for one monitor. The bracket allows the installation of four monitors.

- Maximum height: 400 mm
- Pulled up to 420 mm
- Rotation by 180° and inclination -70-70°
- Maximum load: 8 kg

PACKAGE CONTENT

- 1 arm for the OUPC048F monitor
- Assembly materials
- Installation instructions



Omega OUPC012S

Price: 19,88 EURO

EAN: 5907595450638

Omega OUPC12S

Price: 28,57 EURO

EAN: 5907595450669

VARR VDSGM

Price: 61,95 EURO

EAN: 5907595450836

Omega OUPC024D

Price: 29,27 EURO

EAN: 5907595450645

Omega OUPC24D

Price: 59,55 EURO

EAN: 5907595450676

Omega OUPC048F

Price: 56,28 EURO

EAN: 5907595450652

Please send your orders to: auftragsbearbeitung@ntp-gmbh.com

All prices are plus statutory VAT

Interested in more?

Here you can see an overview of the NTP-Assortments:
www.new-tech-products.com/products/pdf/NTP-Products-Overview.pdf



Best Regards

Rolf Olejniczak-Burkert
New-Tech-Products Handels GmbH

Phone : +49 (0) 7308 / 811 00 - 0 (Zentrale)
Fax : +49 (0) 7308 / 811 00 - 19
www.new-tech-products.com

Nersinger Straße 14-16 • 89275 Elchingen • Germany
Sitz Ulm - HRB 4496 Amtsgericht Ulm
Geschäftsführer: Rolf Olejniczak-Burkert
UST-IDNr.: DE813398643

Should you (%Email%) no longer need this Email-Newsletter,
just reply with [REMOVE](#) in the subject line.